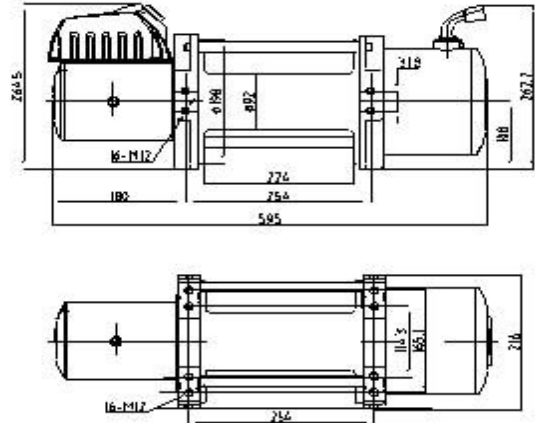
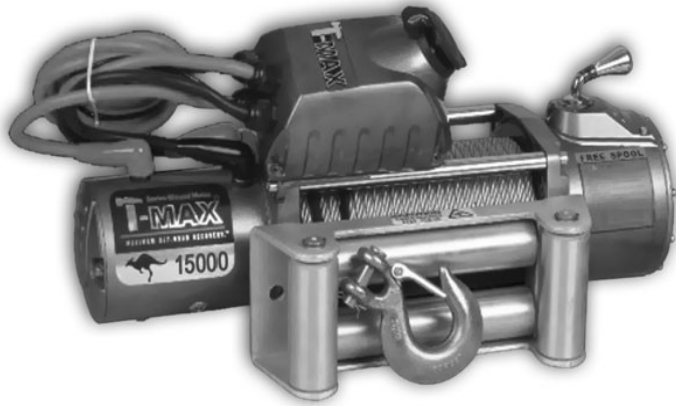


VEHICLE RECOVERY WINCH
EW-15000W
 [OUTBACK]



EW-15000W

- Rated Line Pull:** 15000 lbs. (6800kgs) Single-Line
- Motor:** 6.6HP/12V Series-Wound
- Control:** Remote Switch, 12'(3.7m) lead
- Gear Train:** 3-Stage Planetary
- Gear Ratio:** 355:1
- Clutch:** Sliding Ring Gear
- Brake:** Automatic In-The-Drum
- Drum Size:** Diameter 3.62" (92mm) Length 8.82" (224mm)
- Wire Rope:** 94' Length, 0.41" Diameter (28.5m, 10.5mm Diameter)
- Fairlead:** 4-Way Roller Fairlead
- Remote Control:** Included
- Recommended Battery:** 650CCA Minimum for Winching
- Battery Leads:** 35mm², 72" (1.83m)
- Finish:** Dark Grey
- Weight:** 143 lbs. (65Kg)
- Overall Dimensions:** (L x W x H) 23.4" x 8.4" x 10.3" (594x214x262mm)
- Mounting Bolt Pattern:** 10.00" ± 0.015" x 4.50" ± 0.010" (254.0mm x 114.3mm)

Line Speed & Amp Draw-First Layer

Line	lbs	No	3000	6000	9000	12000	15000	
Pull	kgs	Load	1360	2720	4080	5440	6800	
Line	fpm	12V	25.6	11.2	7.9	6.6	5.4	4.4
Speed	Mpm	12V	7.8	3.4	2.4	2.0	1.7	1.4
Motor	Amps	12V	45	130	220	295	380	450
Current								

Line Pull & Cable Capacity

Layer of Cable		1	2	3	4
Rated Line Pull	lbs	15000	12550	10638	9320
Per Layer	kgs	6800	5668	4820	4220
Cable Capacity	ft.	20	46	75	92
Per Layer	mpm	6	14	23	28

Exclusive North American Distributor
T-Max, LLC
 P.O. Box 4544 - Elkhart, IN 46514-0544



National Association of Testing Authorities, Australia

